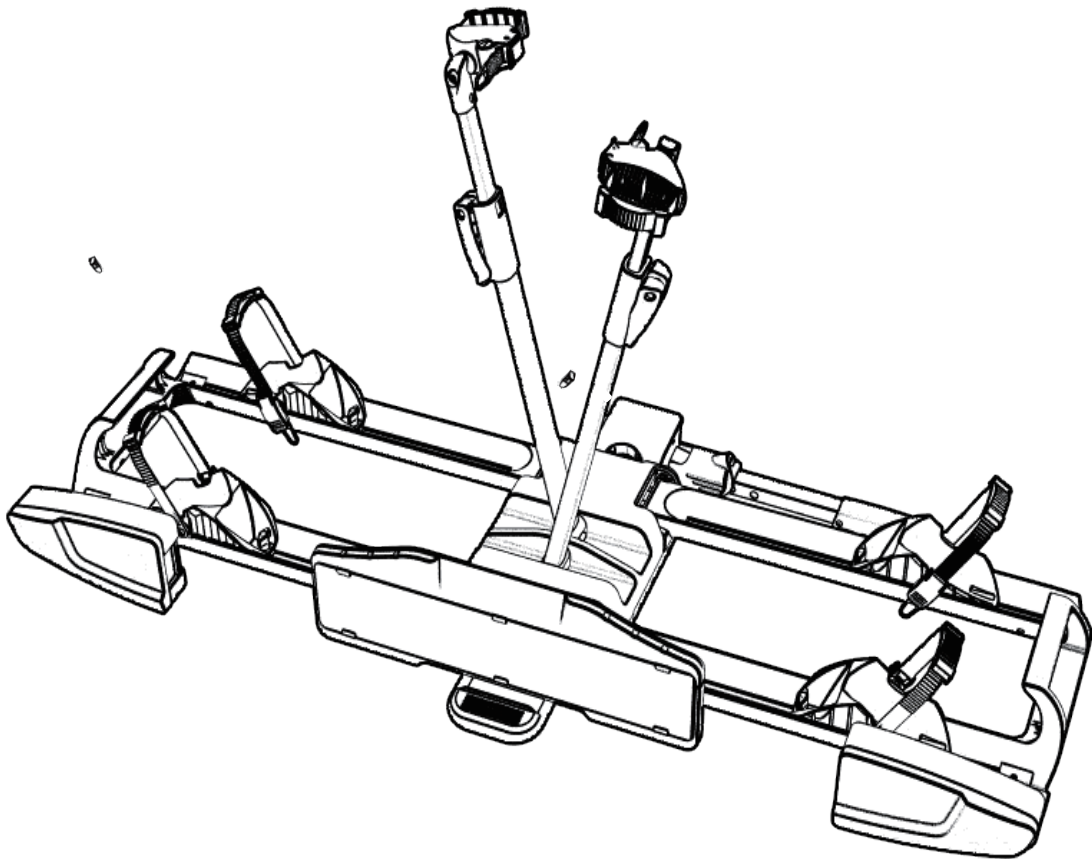


TX2



TX2

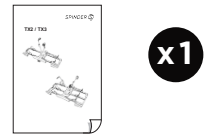
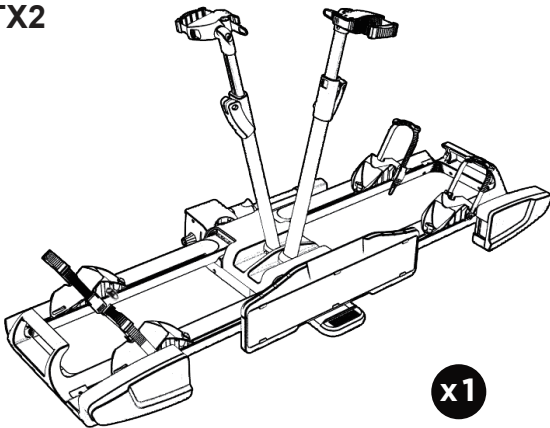



for full written manual
scan QR code or visit
www.spinder.com


European type approval
E4 26R-04 0780


Scope of delivery

TX2



 Max. frame circumference : 350 mm

 Max. wheel base : 1350 mm

 Max. tire width : 80 mm

TX2



Product weight



Max . load





Max . speed



Max . 30kg per bike







TX2

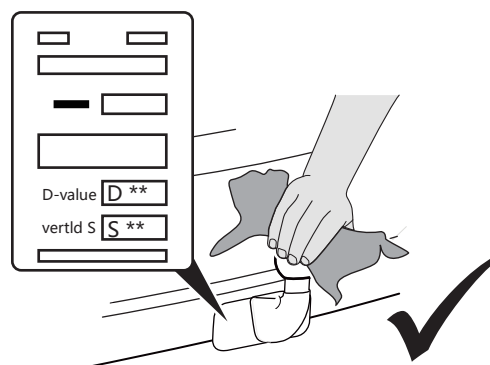
i

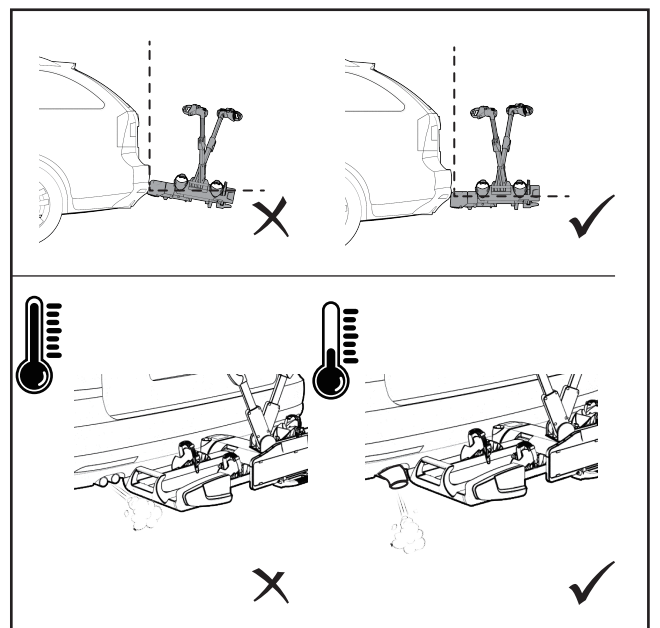
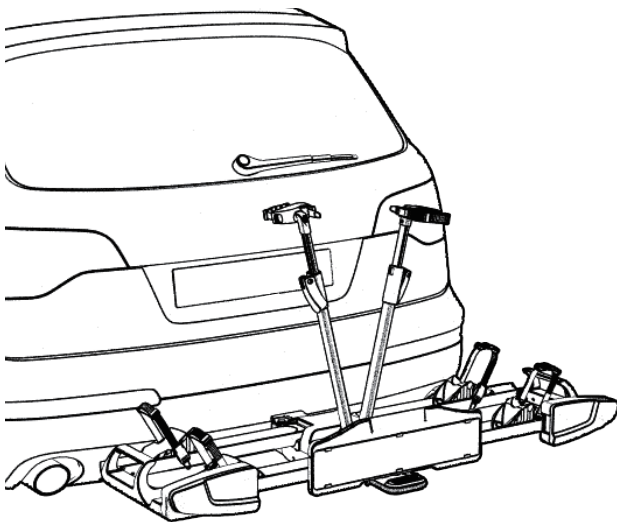
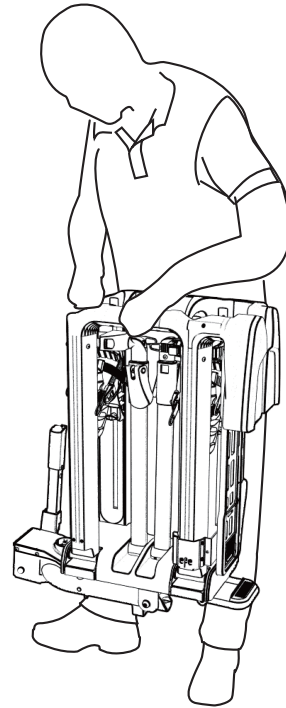
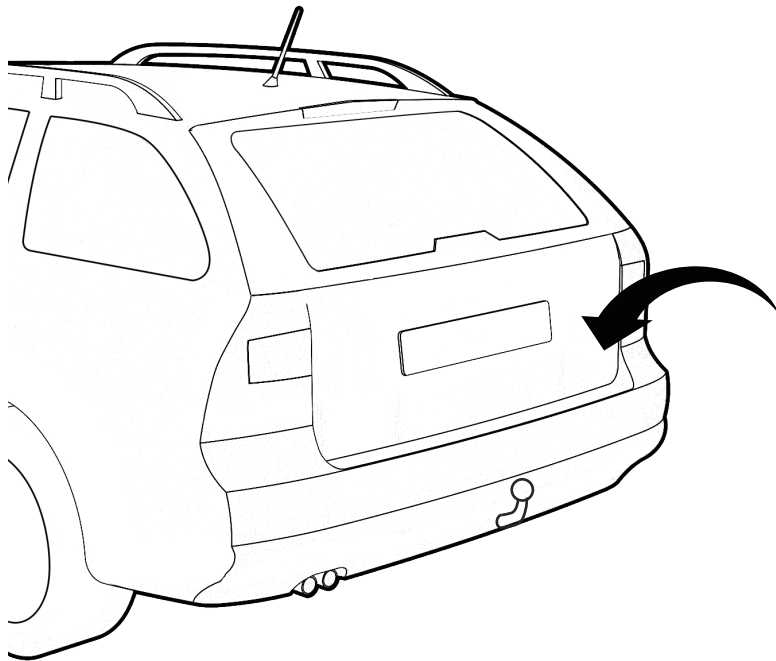
Max  → 

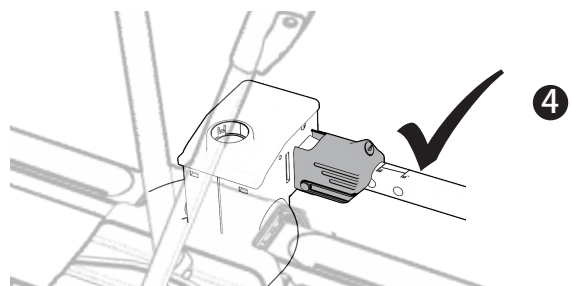
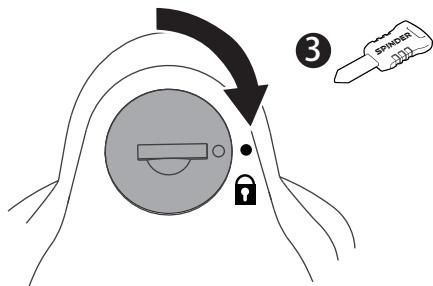
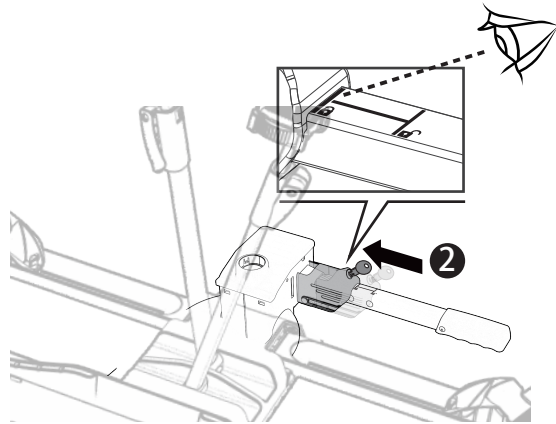
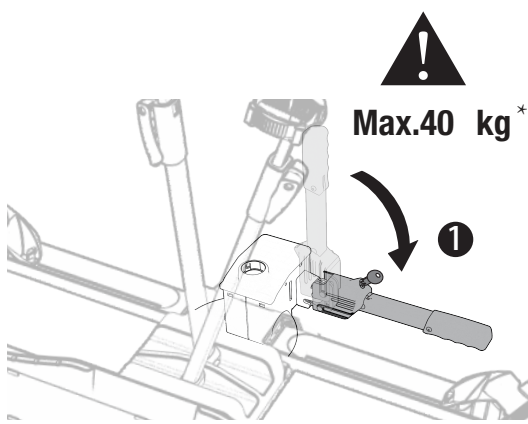
 x2

 18 kg	40 kg	Max 22 kg
	50 kg	Max 32 kg
	60 kg	Max 42 kg
	75 kg	Max 57 kg
	90 kg	Max 60 kg 
	120 kg	Max 60 kg 

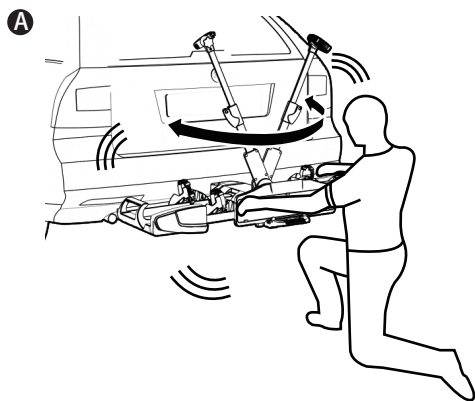
					
Material:	min. steel St52 or grey cast iron GG52				
D-value:	>7,6 kN				
Tow ball:	ø50mm (class A-50 according EC 94/20 or ECE R55)				



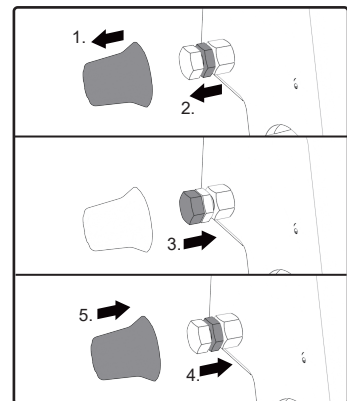




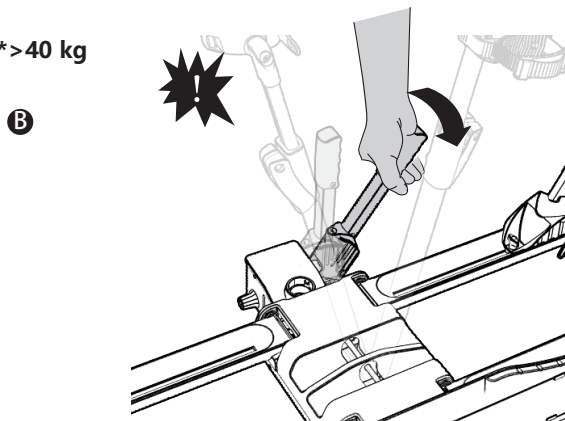
* < 40 kg



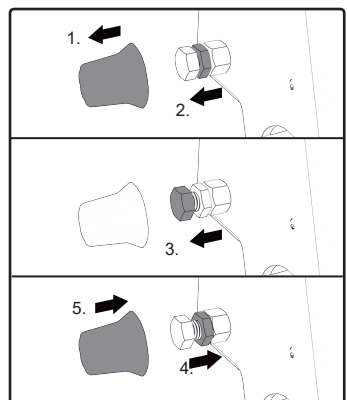
Not ok

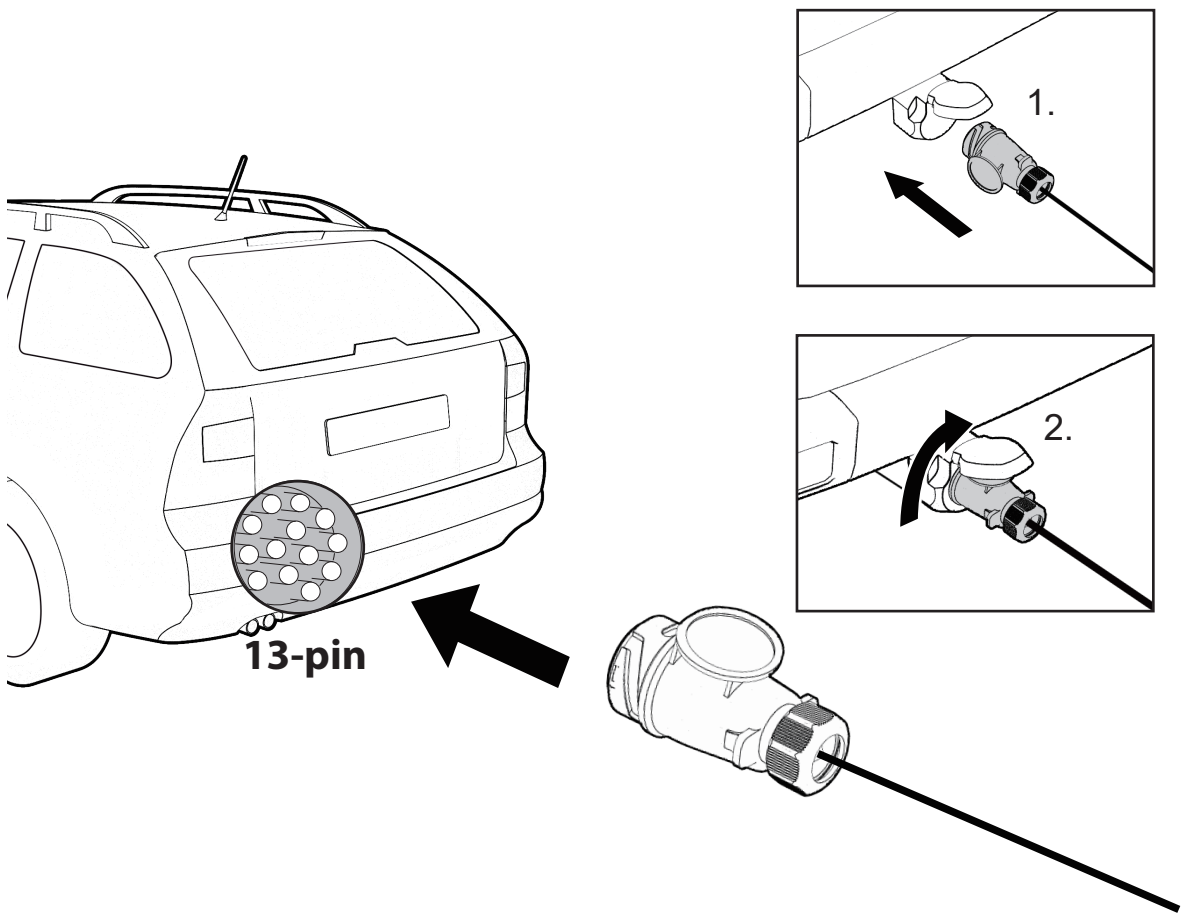
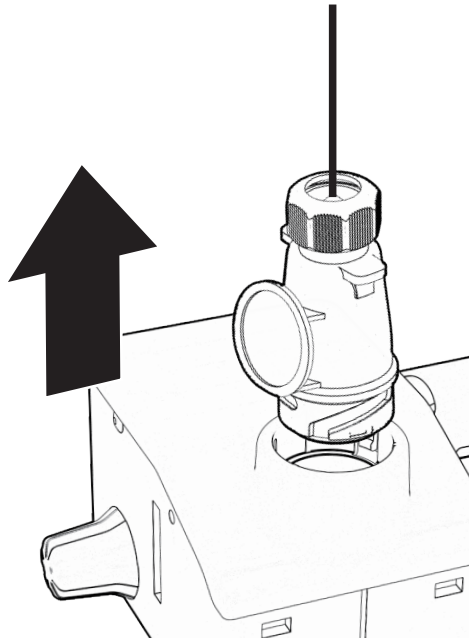


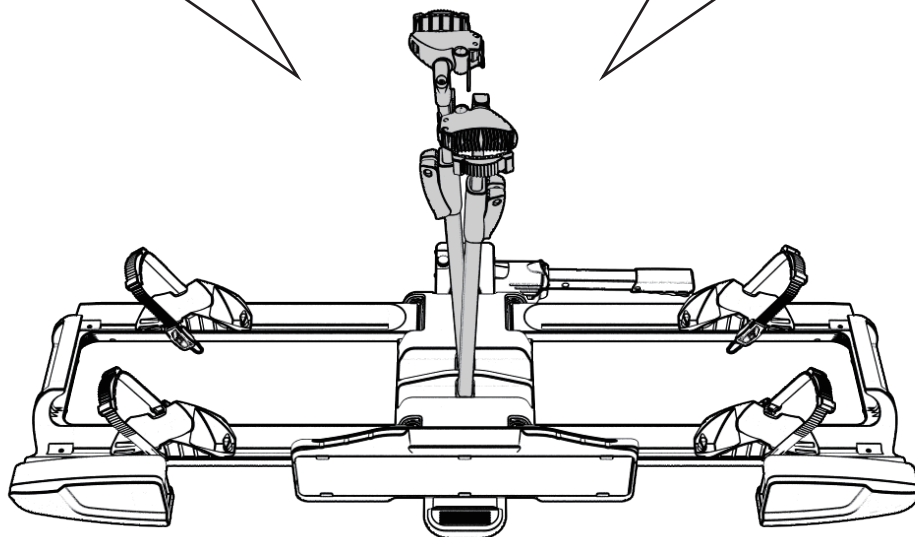
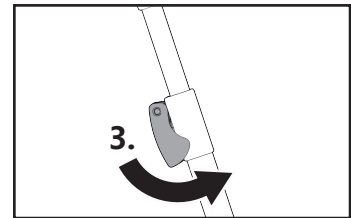
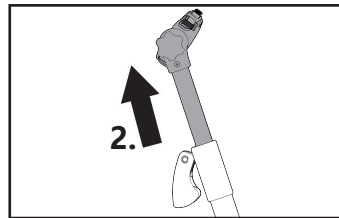
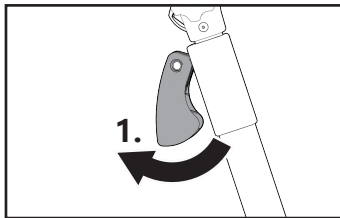
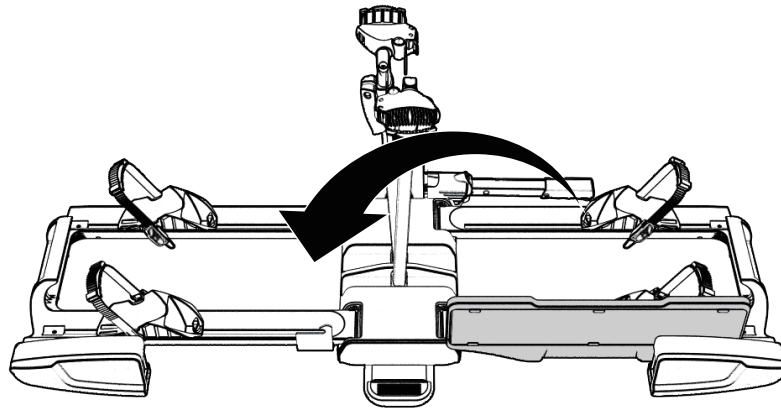
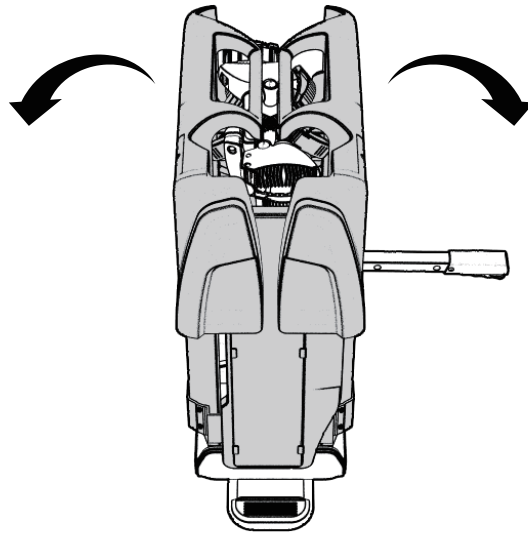
* > 40 kg

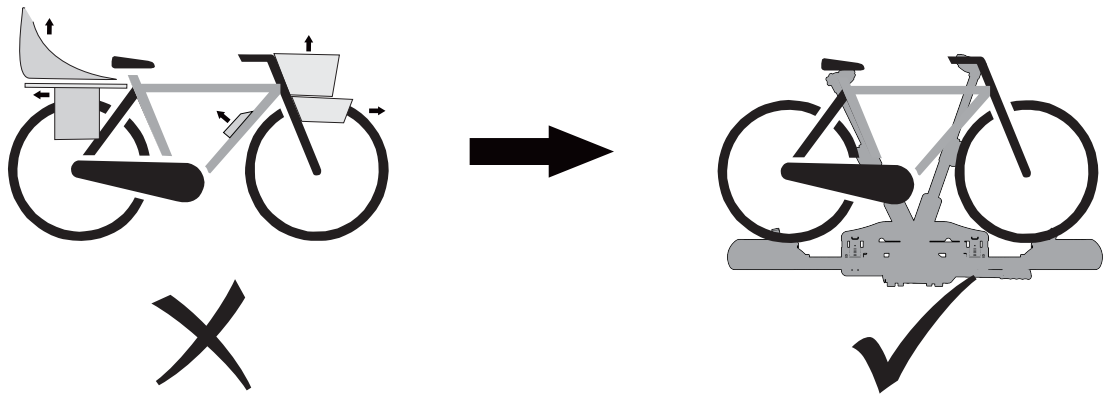
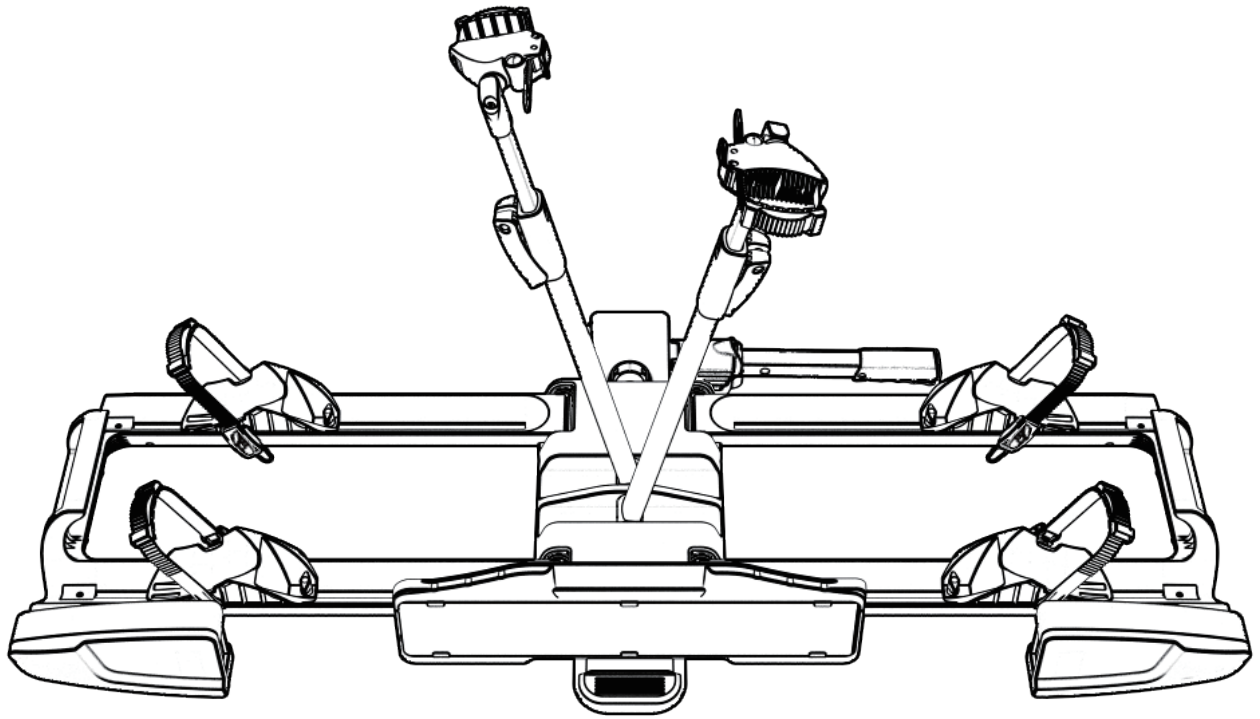


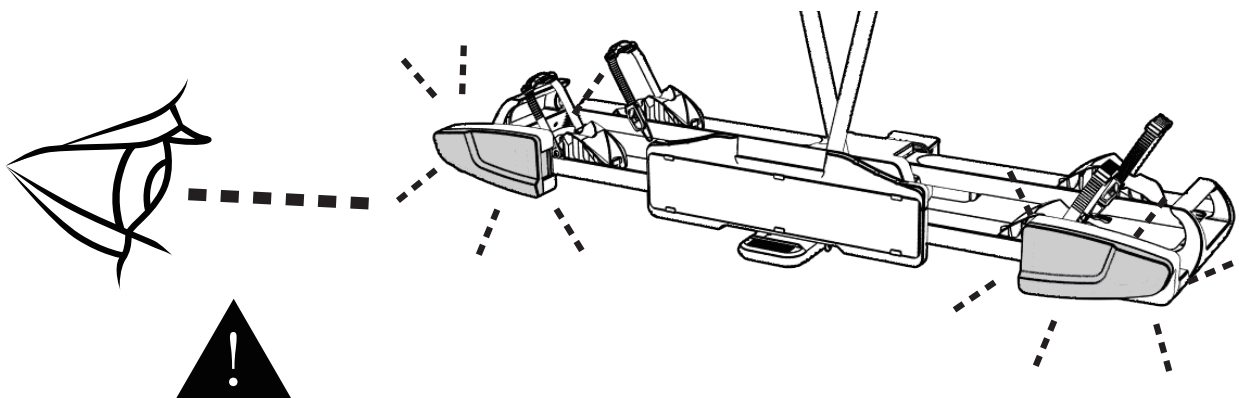
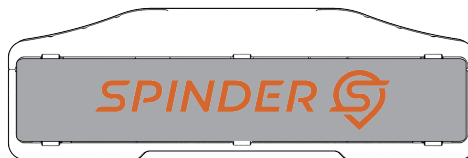
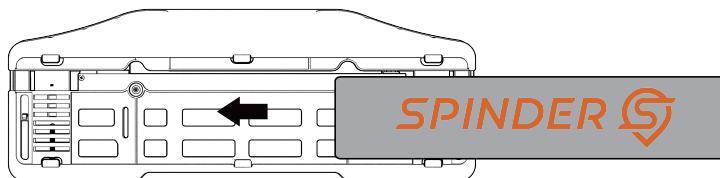
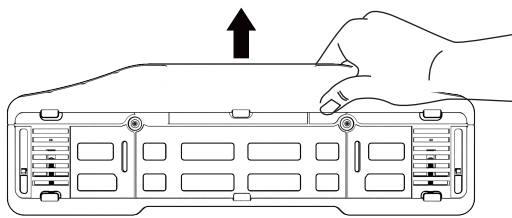
Not ok



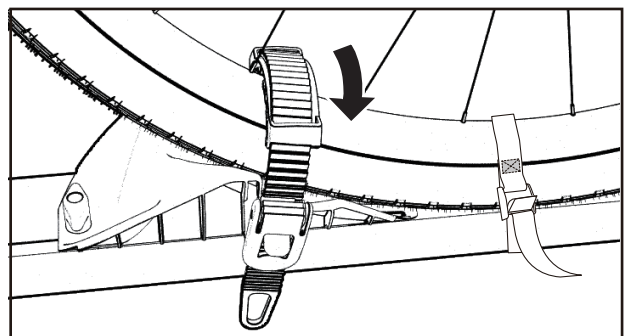
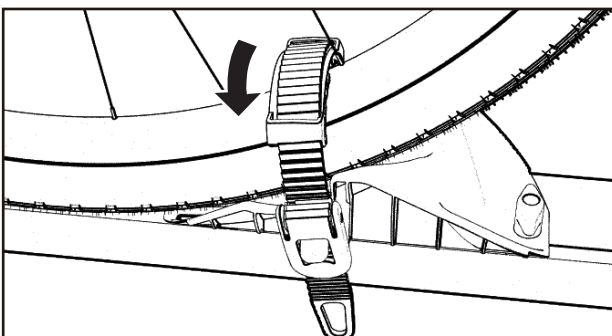
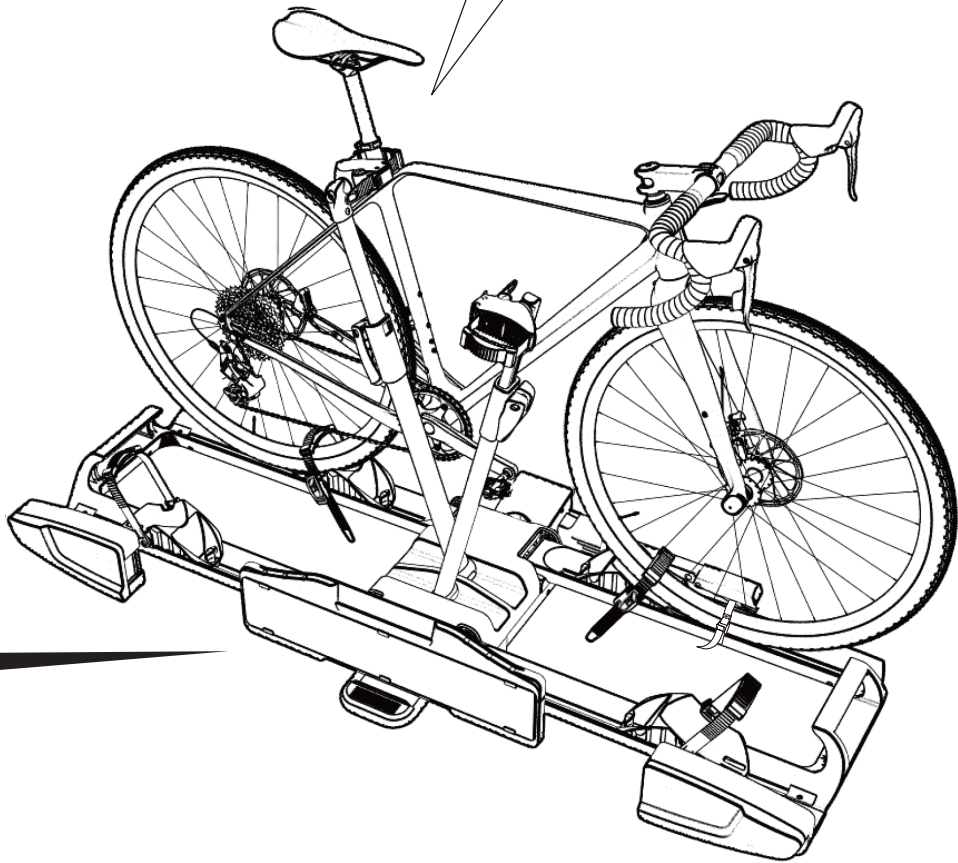
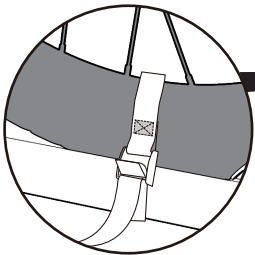
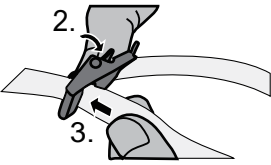
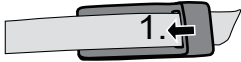
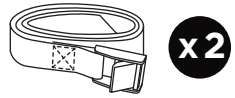
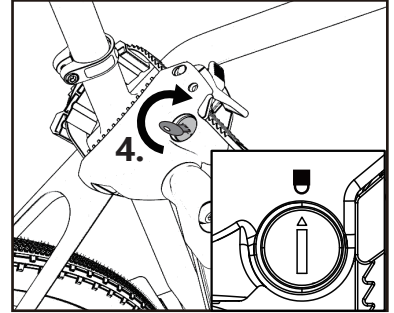
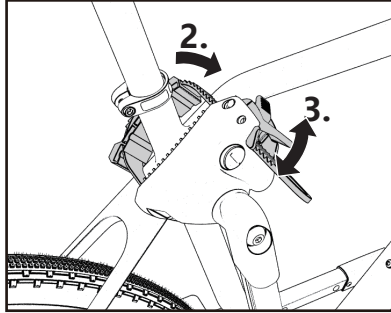
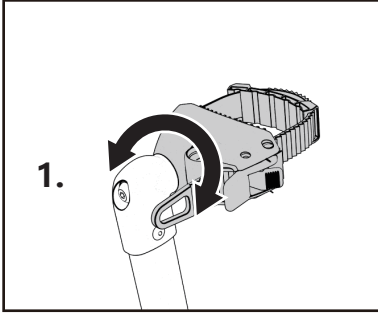
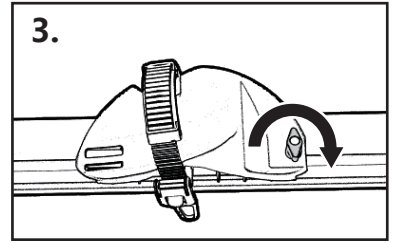
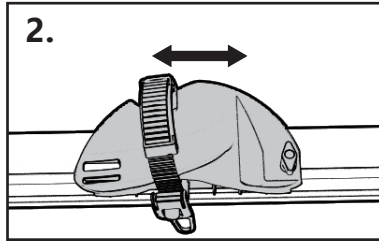
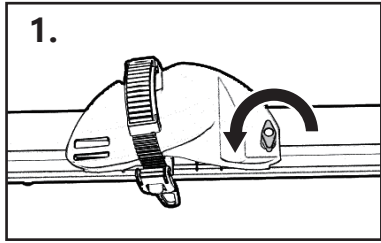


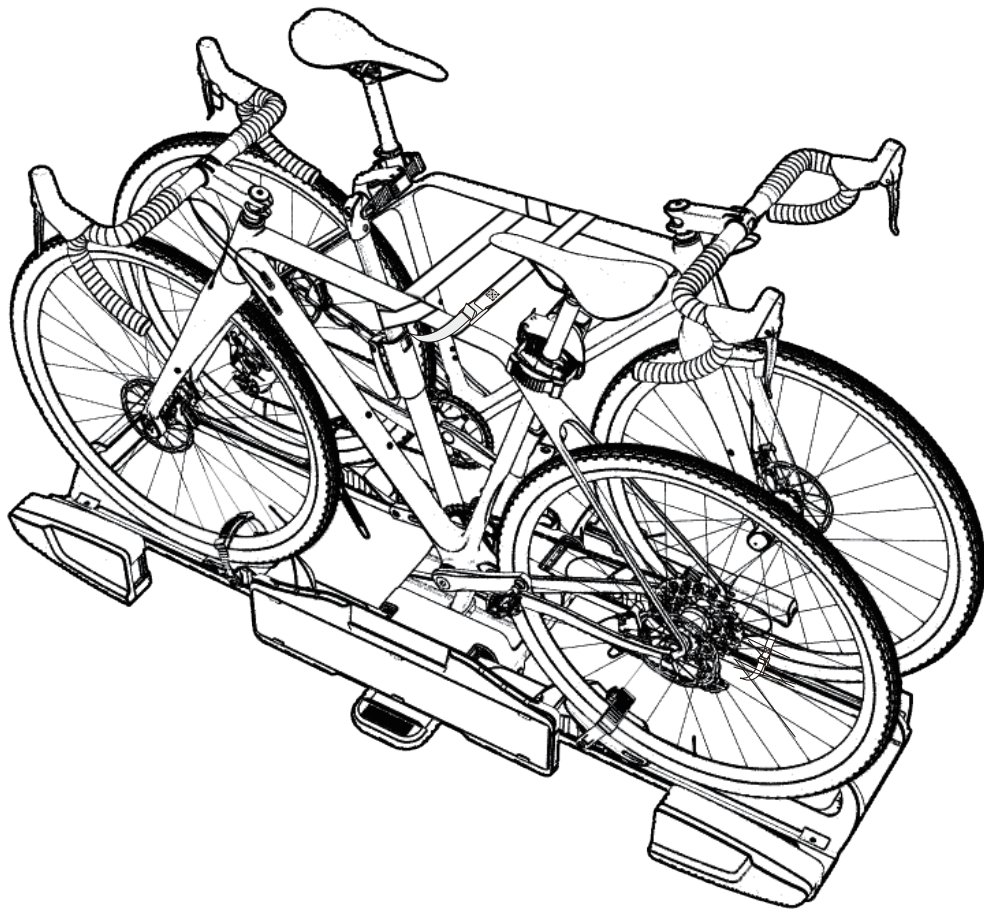
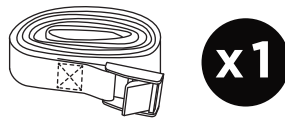
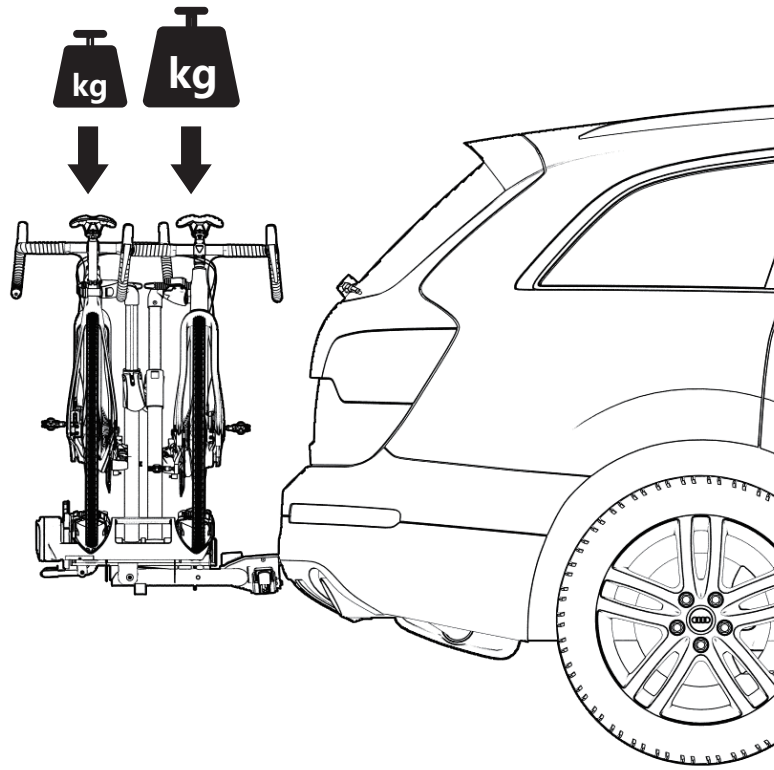


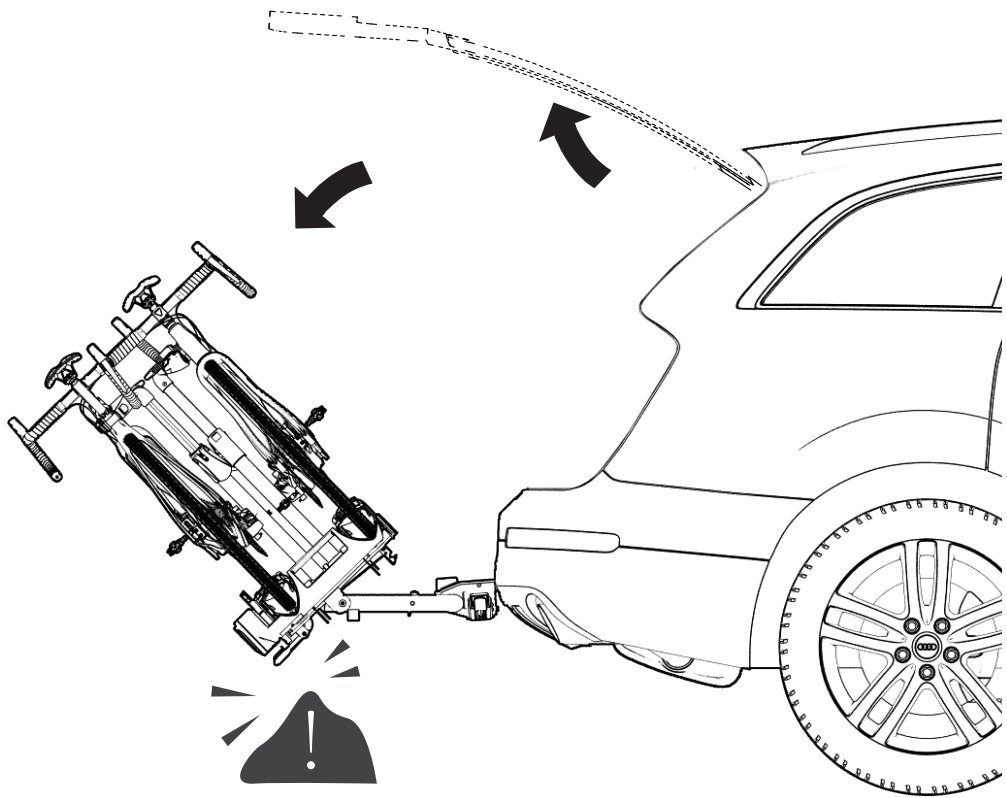
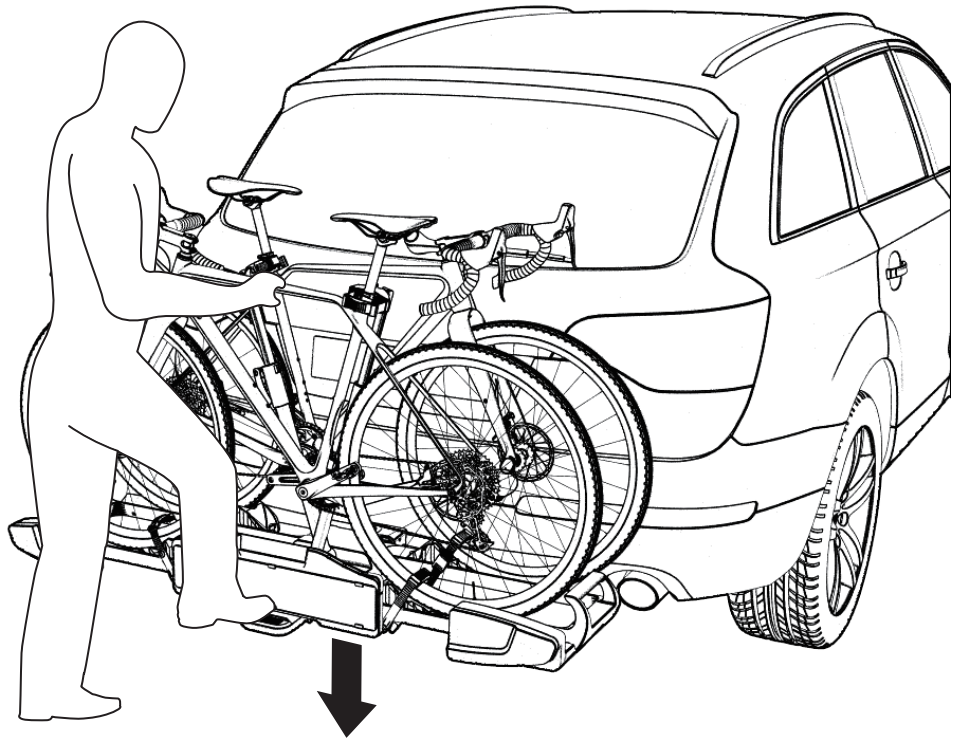


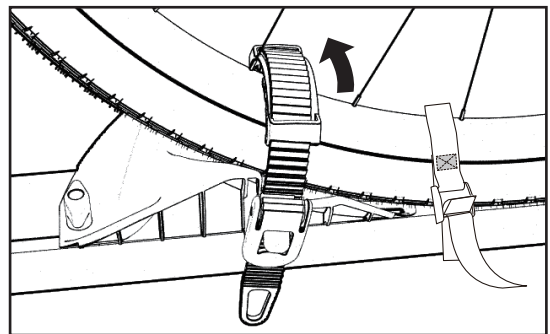
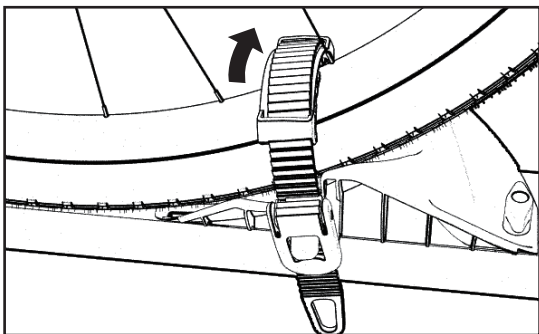
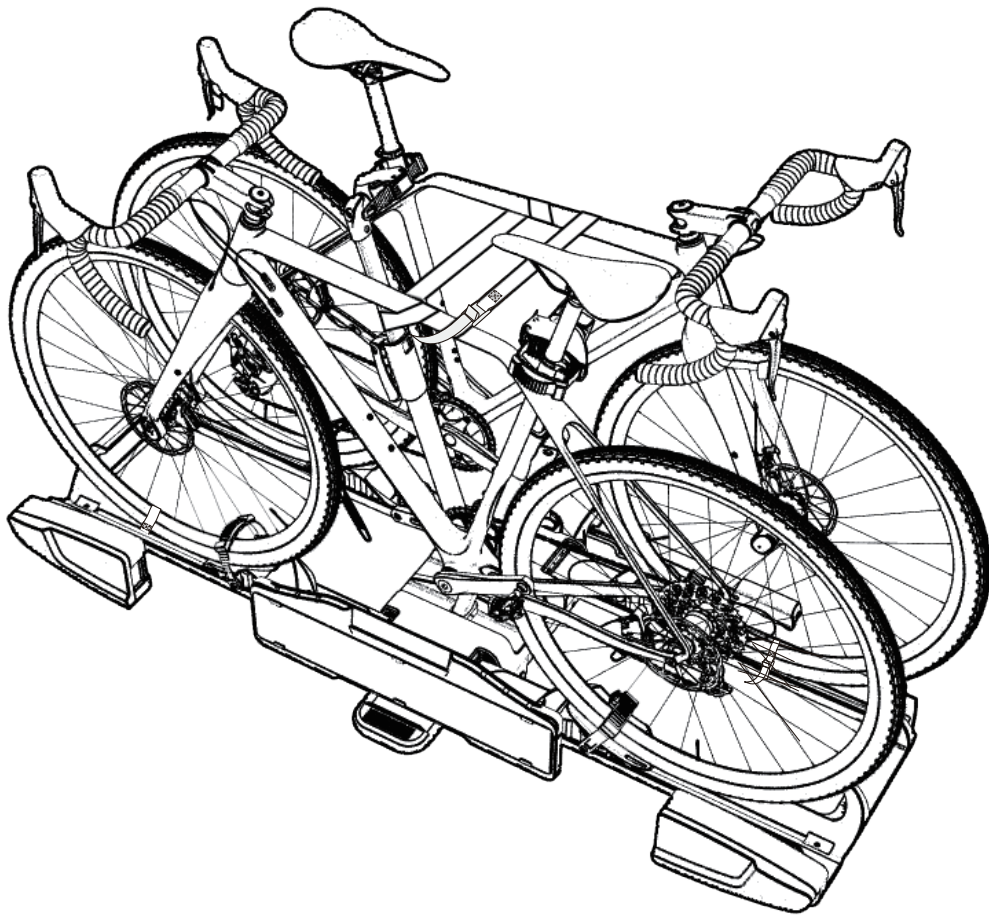
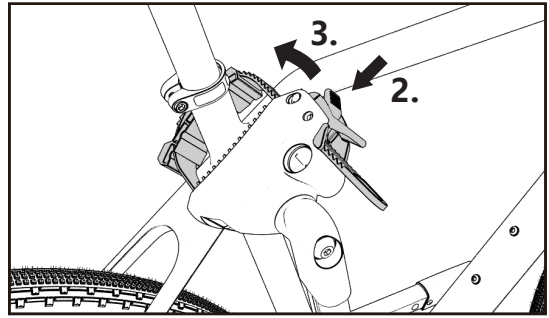
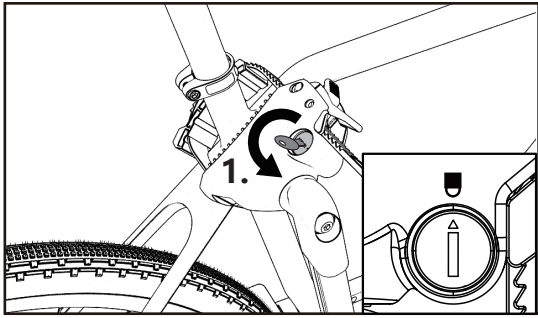


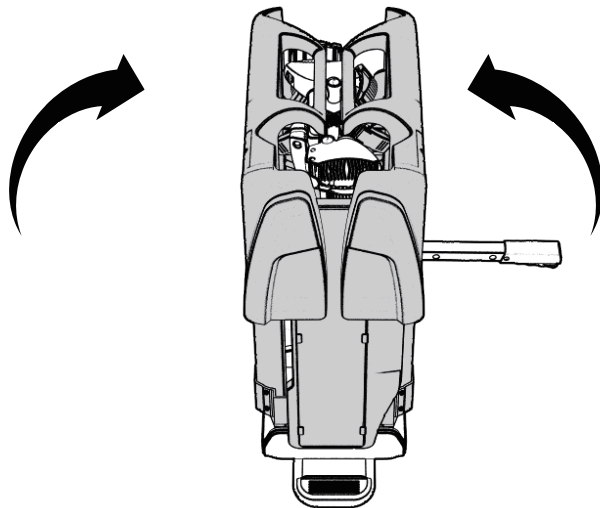
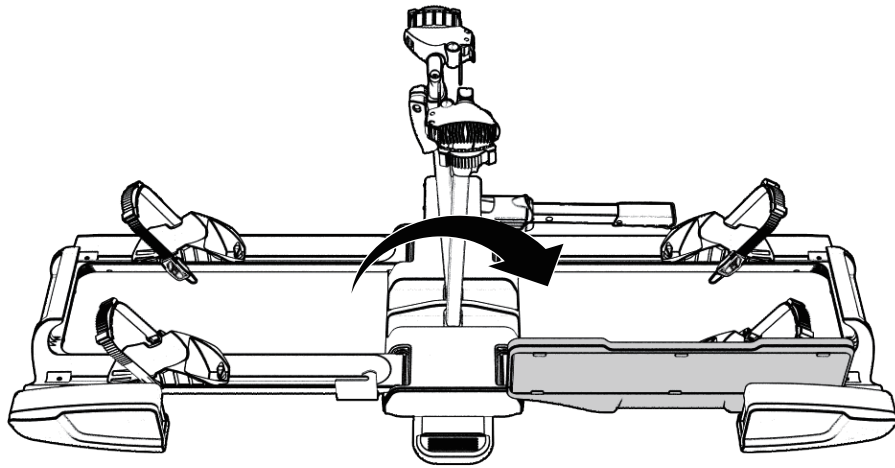
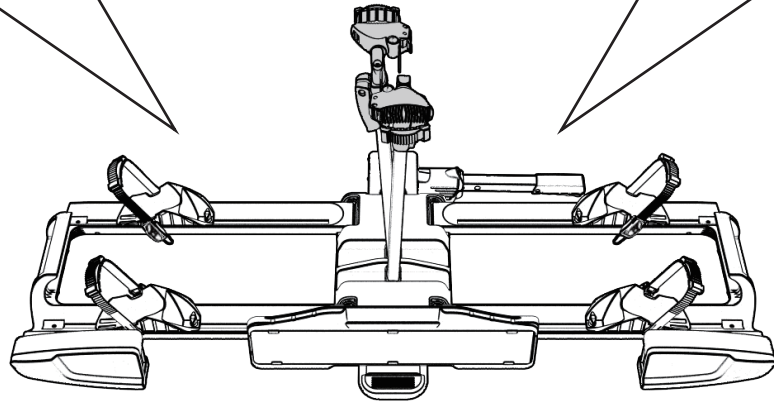
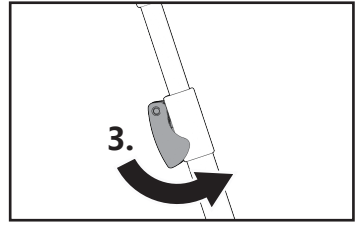
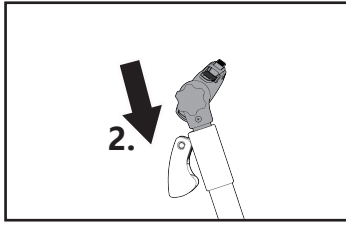
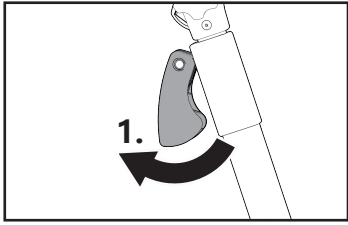
Jaeger system 13 pin (DIN 72.570)			
	1	Indicator left	yellow
	2	Rear fog light	blue
	3	Ground	white
	4	Indicator right	green
	5	Rear light right	brown
	6	Stop lights	red
	7	Rear light left	black
	8	Reversing light	gray
	9	<i>Not used</i>	
	10	<i>Not used</i>	
	11	<i>Not used</i>	
	12	Ground	
	13	<i>Not used</i>	

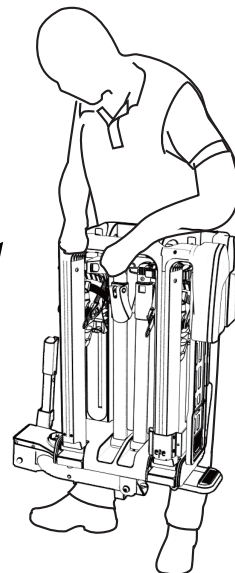
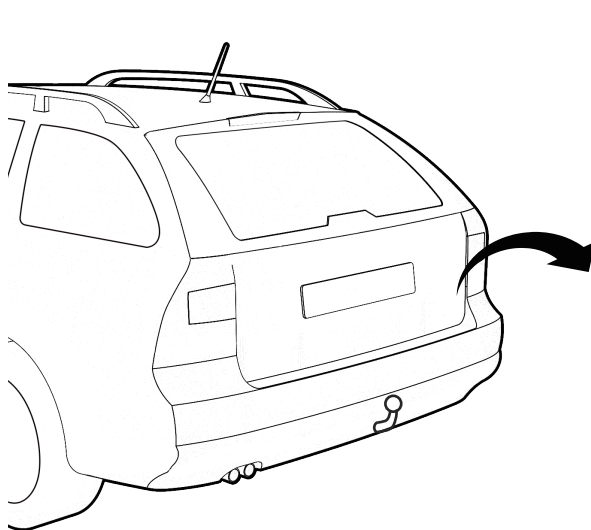
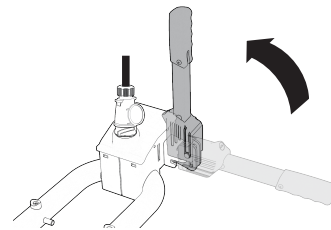
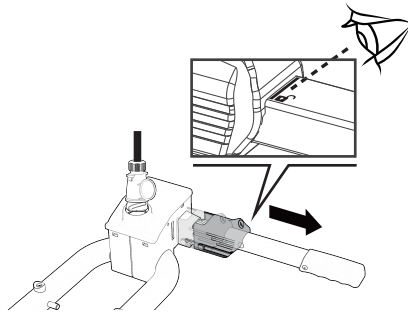
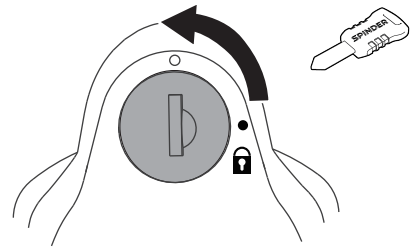
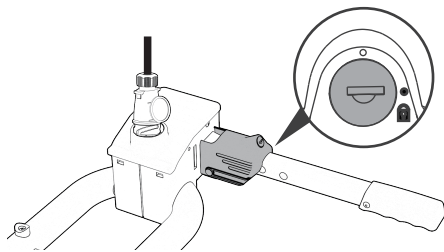
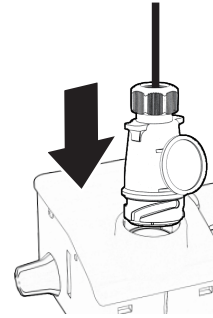
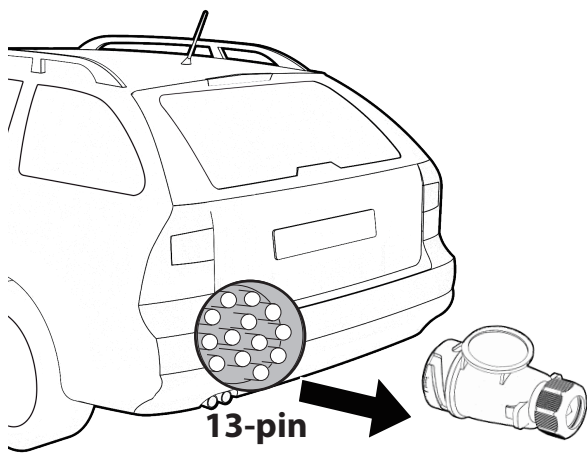












CONTACT

Tradekar Benelux BV
Ohmweg 1
4104 BM CULEMBORG
Nederland
Tel: +31 (0)345 470990

info@spinder.com
www.spinder.com

© Tradekar S30011 / 26B

SPINDER 
Wherever you go

Spinder is part of Tradekar House of Leisure Brands

